

## Installing ground straps on the Fontaine Fifth Wheel No-Slack® (6000 / 7000 / 7000CC) top plates

Fontaine Fifth Wheel currently provides an access point on the 6000, 7000 and 7000CC No-Slack® top plates for installing a ground strap to the truck frame (see Figure 2 for fifth wheel identification). This document provides detail on how to install the ground strap to the fifth wheel top plate.

**Opposite side of the fifth wheel pull handle, there are two bolt holes.**

The upper hole is designated for the in-cab air cylinder. **Do not use for ground strap.**

The lower hole is proper size and can be used to install a ground strap.

Pull handle



Figure 1



Figure 2: Ground strap bolt hole is available on models shown above.

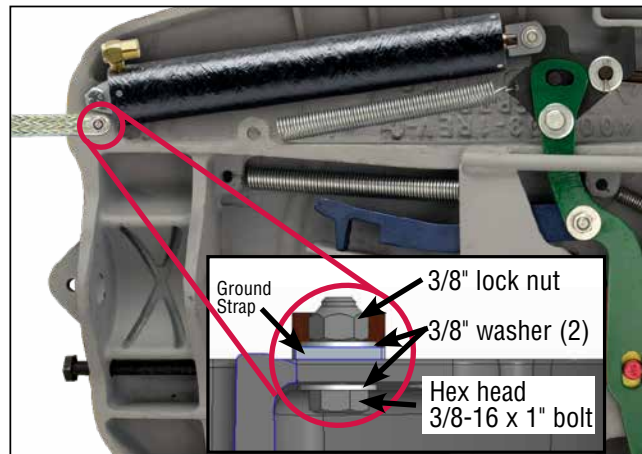


Figure 3: On air actuated models for in-cab release, connect the ground strap as shown. Notice orientation of bolt thread and location of washers.

Fasten securely to ensure a good contact with ground strap



Figure 4: On fifth wheels with manual pull handle release, connect ground strap using same directions as Figure 3.