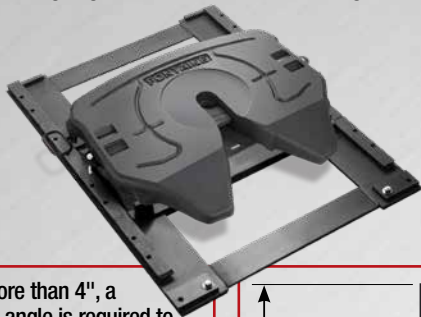


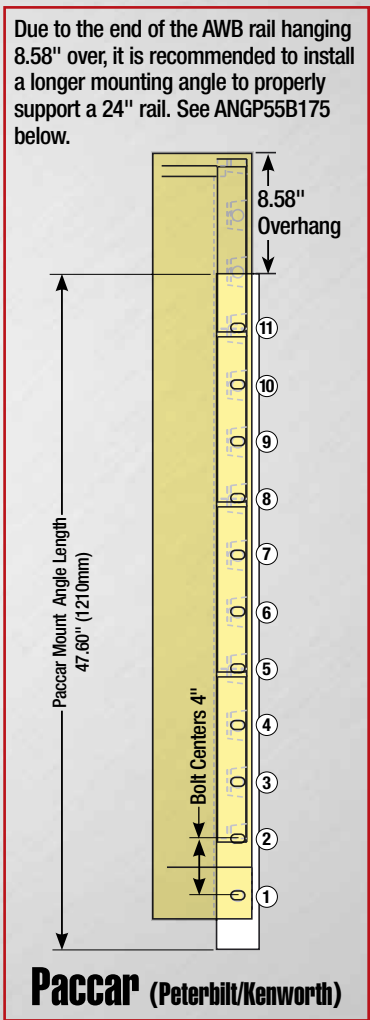
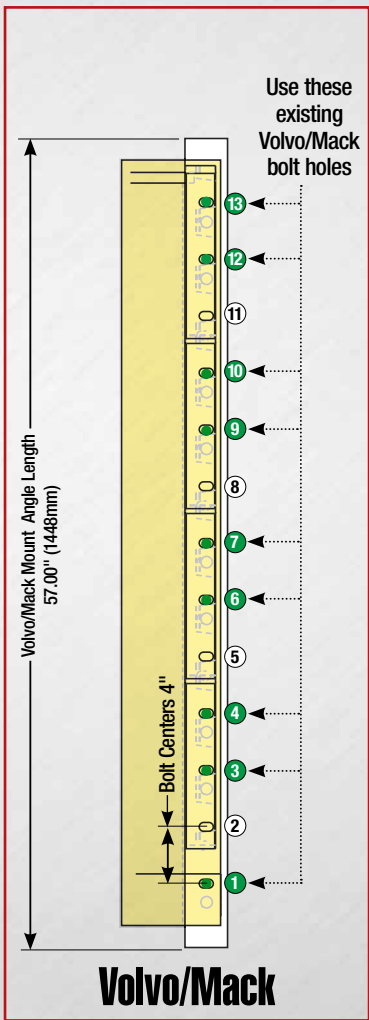
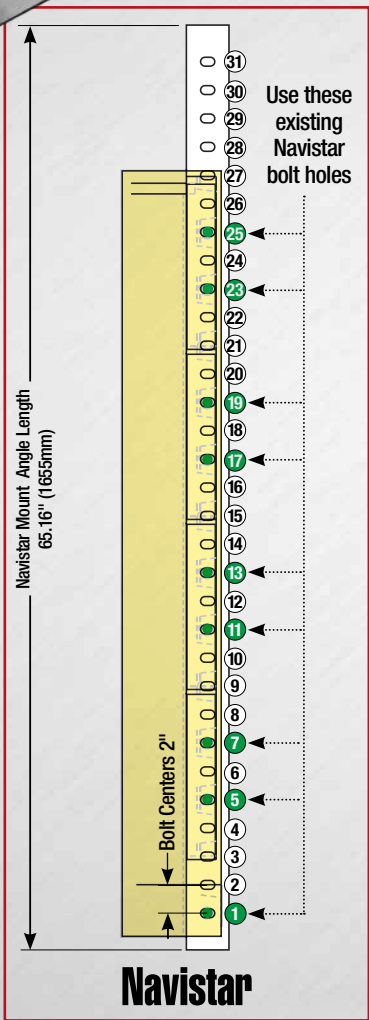
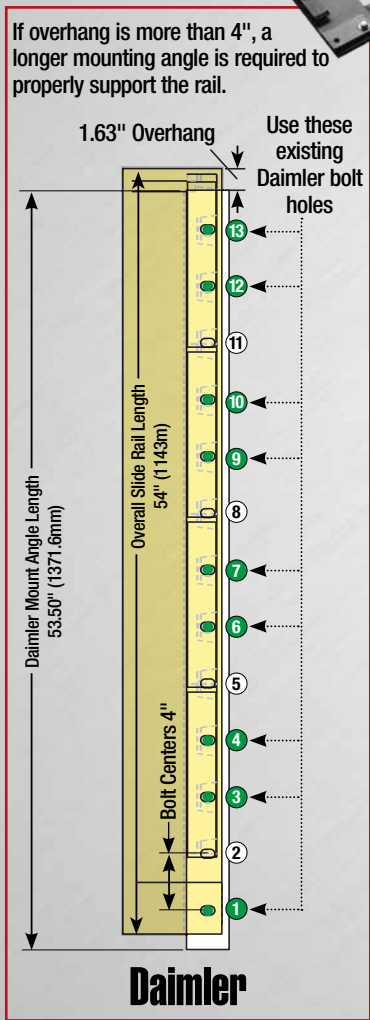
We Make it EASY

# Installing No-Slack® AWB 24" Slides on existing OEM mounting angles

All mounting angles provided below are standard OEM specified length mounting angles designed for 24" slide travel fifth wheels. Hole center spacing is based on OEM standards, front to rear hole alignment may vary. The AWB model represented below is for a 24" slide travel fifth wheel (54" overall rail length). The diagrams below place the (yellow) AWB in the recommended installation position on the mounting angle to illustrate the rearmost installation location. The green numbers represent the bolt locations for each OEM mounting angle. No drilling is required for AWB on these OEM mounting angles. However, the Paccar models will need a longer mounting angle to accommodate the 54" long AWB.



H7 AWB Part Number	Fifth Wheel Height	Slide Length	Weight
SLH7AWB775024	7-3/4"	24"	572 lbs
SLH7AWB875024	8-3/4"	24"	578 lbs
SLH7AWB975024	9-3/4"	24"	584 lbs
SLH7AWB1075024	10-3/4"	24"	604 lbs



OEM names used for reference purposes only.

For Paccar vehicles, install this longer mounting angle.

Part Number	Angle Length	Weight	Truck Frame Width
ANGP55B175	55" (1,397mm)	78 lbs (35kg)	33.25" (845mm) to 34.25" (870mm)

Mounting angles 3/8" x 3" x 4"



**FONTAINE®**  
FIFTH WHEEL

www.fifthwheel.com • 800-874-9780 • Email: parts@fifthwheel.com

©2017 Fontaine Fifth Wheel • LT-246 • December 2017 R3

@FifthWheelParts



@FontainePartsConnection

